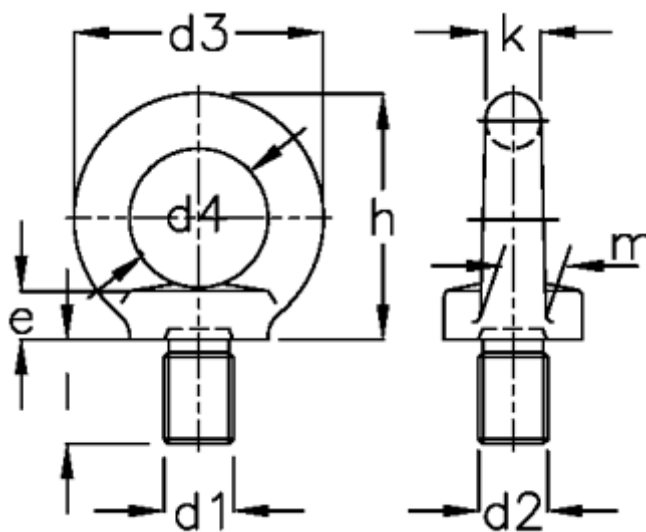


Article number: 20580M10A4
Description: E+G Lifting eye bolts
DIN 580-M10-A4

Measures



$d_1 = M10$	$K = 10$
$d_2 = 25$	$l = 17.0$
$d_3 = 45$	$m = 12$
$d_4 = 25$	
$e = 8$	
$F_1 = 2300$	
$F_2 = 1700$	
$H = 45$	